

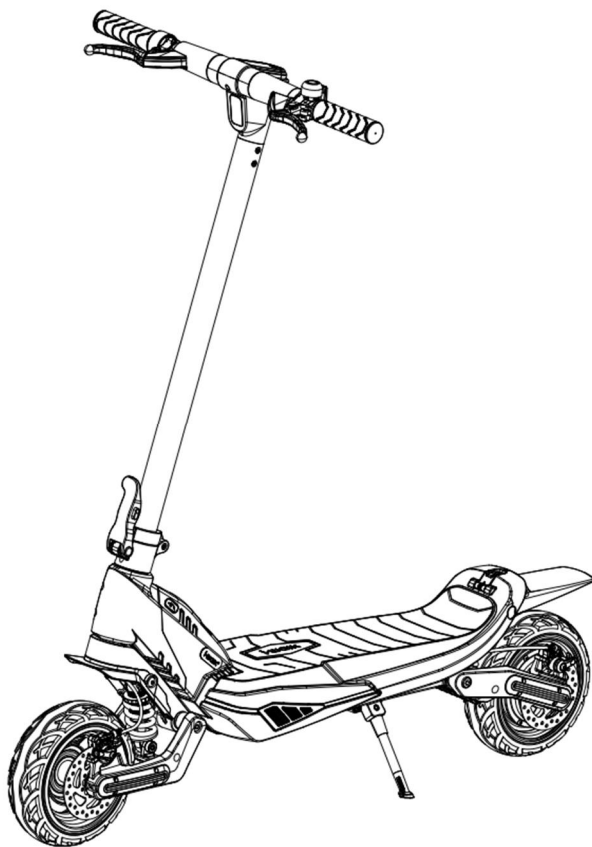
User Manual

i-walk Electric Scooter



i·walk®

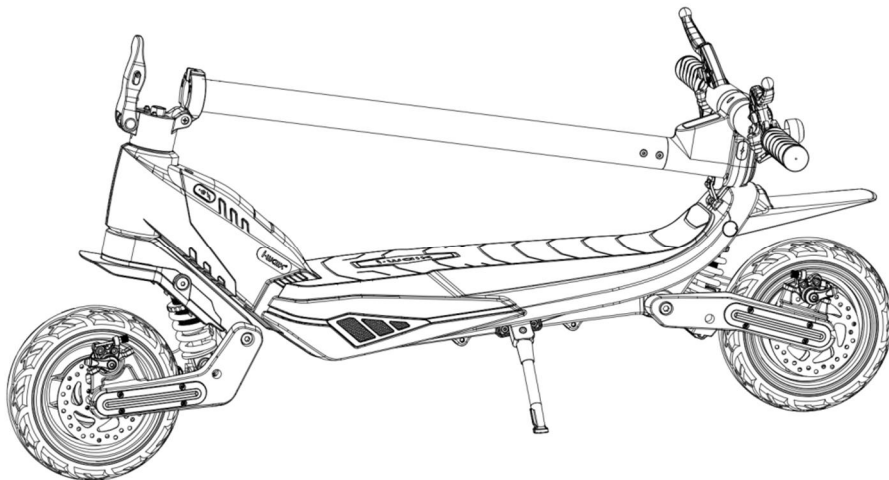
KS1 PRO S Electric Scooter



CONTENTS

1.Product & Accessories-	4
2.Schematic Function Diagram-	5
3.Installation -	5
4.Display and Switch-	6
5.Charging -	6
6.Folding and Handling -	7
7.Learning to ride -	7
8.Product Parameter -	8
9.Safety Instructions-	9
10.Maintenance -	11
11.Harmful substances-	12
12.The common failures and Treatment methods-	13
13.Failure Code-	14
14. Vehicle electric control diagram -	14
15.After-sales Service-	15
16.Warranty Policy-	15
17.Maintenance Record-	15

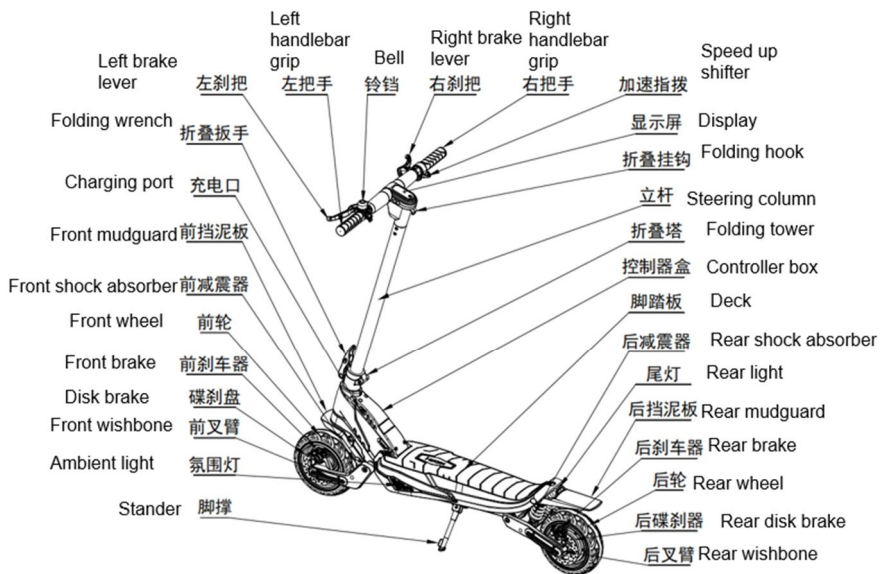
1. Product & Accessories



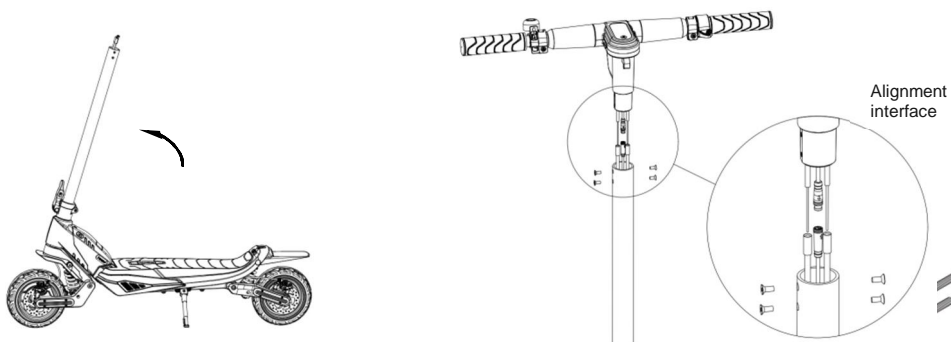
Main Body

	No.	Material name	Quantity
Accessories and tools included	1	Y-type wrench	1
	2	Charger	1
	3	User Manual	1
	5	Seat tube screws (Hexagon socket countersunk head screws M6x12)	4

2. Schematic Function Diagram



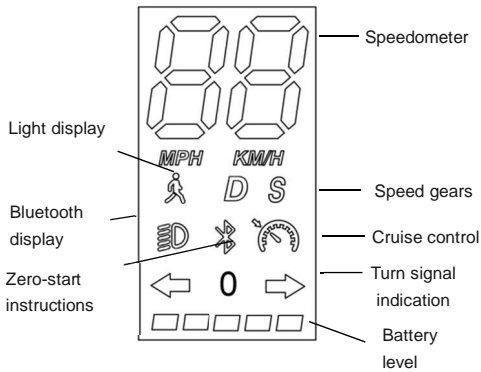
3. Installation



1. Take out the vehicle and unfold the body.

2. Remove the handler, put the brake steel wire rope through the brake cable, dock the waterproof plug, then insert the handler into the steering column, and finally tighten the screws with a hexagonal wrench to avoid loosening.

4. Display and Switch



Bluetooth display: Does not light up means Bluetooth is not connected

Light up means Bluetooth is connected

Light display: Does not light up means the lights are not on

Lights up means the lights are on

Cruise control: Light on means the car has entered the

cruise control lock display: it shows that the car has entered the lock state

Speed gears: Three speed modes Pedestrian model, D

standard model, S sport mode

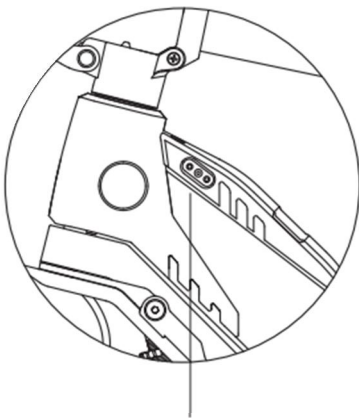
Speedometer: Show current speed

Battery level: Showing the current power by 5 bars, each

represents 20% of the power odometer:

shows the miles ridden

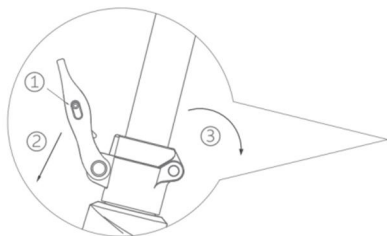
5. Charging



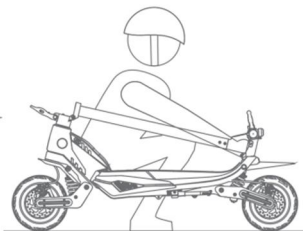
Find the charging port on the edge of the deck and plug in the charger

Notice: Please unplug the power cord when charging is complete

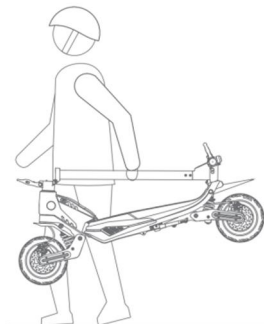
6. Folding and Handling



1. Hold the steering column and pull outward the folding hook of the column.

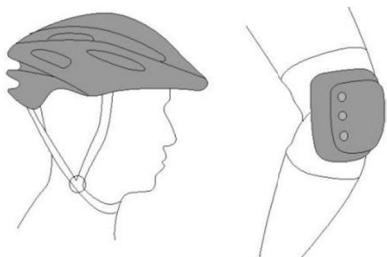


2. Fold the scooter so that the hooks hang onto the backsplash notches.



3. Hold the steering column of the electric scooter to maintain balance.

7. Learning to ride



Attention: Wear a suitable helmet and other protective gear on every journey!



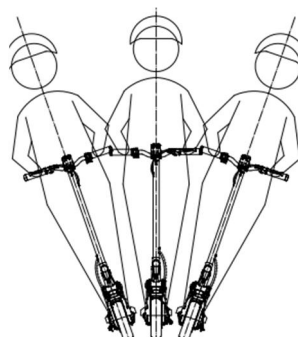
1. One foot on the deck, kick back with the other foot and start sliding.



2. When the electric scooter is moving steadily, put the other foot to the deck and speed up slowly.



3. Apply the brakes gently to avoid shock-braking.



4. Slow down when turning and tilt your body slightly.

8. Product Parameter

Type	Name	Parameter
Vehicle parameters	Vehicle size (mm)	1190x640x1260
	Folding size (mm)	1190x640x560
	Maximum load (kg)	120
	Net weight (kg)	27.4
	Wheel size	9inch
	Body material	Magnesium alloy
	Light	LED
Main parameters	Maximum speed (km/h)	45
	Single mile	45-65Km
	Max. Gradeability	15°
	Operation temperature	-10℃~+40℃
	Storage temperature	-20℃~+45℃
	Waterproof level	IP54
	Brake	Disk brake
Motor parameters	Type	Hall Brushless Direct Current Motor
	Rated power / Maximum power	500W / 800W
	Drive mode	FOC Drive
Battery parameters	Battery type	Lithium battery 16Ah
	Rated voltage	48V
	Charge cut-off voltage	54.6V
	Rated power	163W
	Charging time	5-7h
	BMS	Overcharge protection, overheat protection, over-discharge protection, short circuit protection, overcurrent protection, etc.
	Bluetooth APP	Support
Smart configuration	Automatically determine the vehicle breakdown, motor, communication, undervoltage, blockage and other intelligent protection warning.	

The range is measured under full charge, 65kg load, temperature of about 25℃, flat road without wind, in comfort mode at 15km/h uniform speed. The actual range may vary depending on the load, temperature, wind speed, road surface and operating habits.

9. Safety Instructions

1. Safety Statement

i-walk is a light motorized vehicles for personal transportation. Once you ride into a public area, it will also have vehicle properties and pose a safety risk. Riding in strict accordance with the instructions in this manual and in compliance with the national and regional traffic regulations will best protect you and others.

At the same time, you also need to understand: once the i-walk riding on public roads or other public places, even if you fully follow this safe driving guide, may also face the risk caused by illegal driving or improper operation of others or vehicles.

Therefore, it is very important to keep the proper speed and safe distance from others. Stay alert and slow down when entering unfamiliar terrain.

Please respect the rights of pedestrians while riding and avoid frightening them, especially children. Go after the pedestrian, promptly reminded pedestrians and slow down by. Take the left as far as possible, (for vehicles on the right country and region).

When facing a pedestrian, keep to the right and slow down.

The safety requirements of this manual must be strictly observed when driving in countries and regions where there are no clear legal provisions. For violation of this manual to all property, personal loss, accident, legal disputes, etc., and all other adverse events caused by conflicts of interest, the company will not undertake any direct responsibility and joint and several liability.

Do not lend the i-walk to a person who cannot operate. If the electric scooter was used by others, please be sure to be responsible for their safety, and make sure they wear protective gear; teach them to ride.

Please check the i-walk before each riding, if found loose parts, battery life is decreased obviously, tire slow leak, excessive wear; some parts such as a sound or failure abnormal situation, please stop using immediately. You can dial the company's service phone or visit the website for professional guidance or maintenance services.

2. Precautions

1. Safety protective equipment such as helmet, gloves, elbow and knee protector must be worn before riding, to prevent accidents and falls;
2. Scooter inspection: Before riding you need to check whether the power is sufficient, the scooter is abnormal or loose;
3. Prohibit riding on wet roads, especially snow and water pavement;
4. It is recommended not to ride on the upper and lower ramps above 70°;
5. Prohibit riding in the rain;
6. Minors under 12 years old are not recommended to study and ride;
7. Try to avoid rapid acceleration and rapid deceleration, not excessive forward and backward body, is strictly prohibited speeding;
8. When the remaining power is low, please keep low speed and charge as soon as possible;
9. If you are at risk of falling, please focus on personal safety;
10. Do not put your hand in your pocket while riding, otherwise you may be due to loss of balance or fall and suffered serious injury;
11. Do not put i-walk in the car trunk in high temperature weather for a long time;
12. Take the initiative to understand and comply with local traffic laws before riding i-walk;
13. Pay attention on the surrounding people and things, to avoid a collision;
14. When other people ride electric scooters together; please keep a safe distance and do not ride side by side;
15. Do not ride in bad light, if necessary, please reduce the speed, keep vigilant;
16. Do not go backwards;
17. Do not let others use your electric scooter unless he/she has read the manual carefully and has learnt to ride;
18. Do not ride in unhealthy or the presence of alcohol or drugs;
19. Do not lift your electric scooter from the tire to avoid injury between the tire and the case.

10. Maintenance

1. Cleaning and storage

Please clean i-walk in time after use to maintain the best performance. Wipe the i-walk with a damp cloth; use a nozzle to wash the tires and fenders (water pressure < 1 Mpa, or 145PSI).

Dry in a ventilated place to avoid corrosion. Stains or scratches on plastic surfaces that are difficult to clean can be brushed with toothpaste.

When not in use, try to store it in a dry and cool place indoors, and try to avoid storing it outdoors for a long time. Sun exposure/overheating/overcold outdoor environment will accelerate the appearance and tire aging of the i-walk electric scooter, and will also affect the service life of the battery.

Tips:

When cleaning the i-walk scooter, make sure your scooter is turned off and the rubber cover of the charging port is covered, otherwise it may cause electric shock or serious failure; It may lead to the accumulation of water vapor or water in the car, resulting in serious irreparable failures;

Do not use alcohol, gasoline, kerosene, acetone or other corrosive and volatile chemical solvents to clean the car body. These substances will damage the appearance and internal structure of the car and cannot be repaired.

2. Battery pack maintenance

The battery pack is the most important part of the i-walk. To extend your battery life as much as possible, follow the instructions below:

- Carefully read the precautions on the battery pack surface label and follow the instructions;
- Please try to keep the battery pack at 0 °C ~ 40 °C room temperature drying environment, high temperature and low temperature environment will affect the battery life. Please avoid below -20 °C or higher than 50 °C in the use of the environment of the battery;
- Please try to store the battery pack in a dry, cool environment. In a closed wet environment, the battery pack may get water, but also can cause the battery pack to be damaged quickly. If the environment cannot be avoided wet, please use a large self-styled bag sealed the battery pack;
- In daily use, try to avoid completely running out of the batteries. Please charge as soon as possible when the dashboard indicates that only 10% ~ 20% is left. Battery capacity and life will be seriously affected if the battery is in a state of exhaustion

for a long time. When the dashboard shows that there are only 1 to 2 bars left, please charge it as soon as possible. Try to fully charge the battery after each ride, frequent charging will not damage the battery life, and the battery is close to being exhausted for a long time will also seriously affect the battery capacity and life;

Tips:

In general, a fully charged scooter will deplete its stored power after about 90 to 100 days of standby, and a nearly depleted battery installed in the scooter will deplete its power after about 10 to 20 days of standby, at which time if not charged in time, it is likely that the battery will be damaged by excessive discharge. This damage is not recoverable and no warranty is provided. (Note: non-professional personnel are prohibited from disassembling the battery pack; Otherwise it may cause serious safety accidents due to electric shock or short circuit!)

11. Harmful substances

PARTS	Harmful substances					
	Pb	Hg	Cd	Cr(VI)	PB	PB PBDE
Charger	○	○	○	○	○	○
Battery	○	○	○	○	○	○
Charging port	○	○	○	○	○	○
Light	○	○	○	○	○	○
Circuit board	○	○	○	○	○	○
Motor	×	○	○	○	○	○
Shell	○	○	○	○	○	○

This form is compiled according to the regulations of SJ/T 11364

○: the content of the substance is lower than the limit specified in GB/T 26572

×: the content of the substance is higher than the limit specified in GB/T 26572

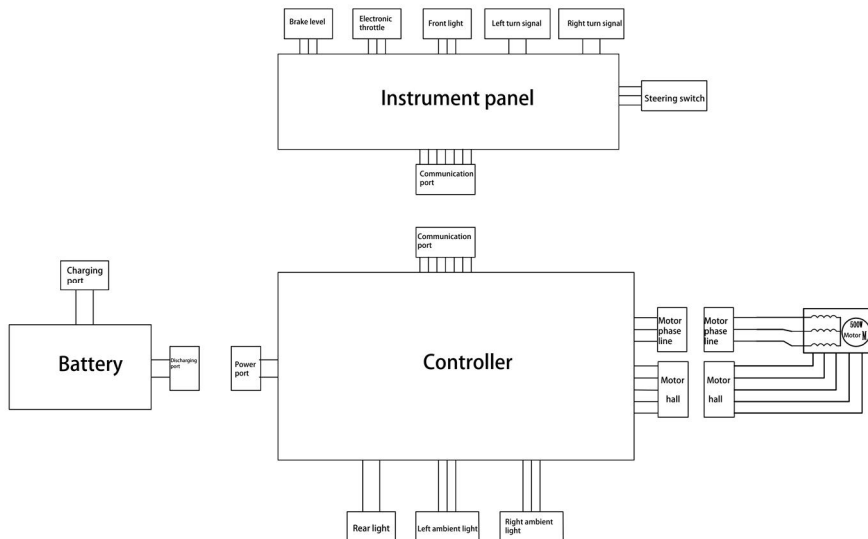
12. The common failures and Treatment methods

Common failures	Common failures	The solutions
No power output after startup	1.Low battery voltage 2.Motor phase line is not connected	1.Check the battery voltage, charge the battery 2.Check the motor phase line
The riding range decreases	1.Insufficient battery charge 2.Tires are badly worn 3.Frequent braking, starting and overload 4.Battery aging or normal attenuation 5.Low environmental temperature	1.Check whether the battery is damaged or not 2.Contact after sales for tire replacement 3.Develop good driving habits 4.Replace the battery 5.Ride in a room temperature environment
The battery can't charge	1.The charger is not plugged in 2.The battery temperature is too low 3.The battery is too hot	1.Check whether the plug is loose 2.Wait for the battery to rise to the right temperature before charging 3.Wait for the battery to decrease to the right temperature before charging
Instrument no display	1.There is no power supply 2.The power converter is damaged 3.The dashboard malfunction	1.Check whether the battery is connected; 2.Charge the battery under negative pressure 3.Contact the after-sales service to replace the damaged parts
Power supply and motor cannot start	1.Braking 2.The dashboard key failure	1. Check whether the brake is on brake 2. Contact after sales

13. Failure Code

Failure Code	Failure Description	Remarks
E0	Communication failures;	
E1	Turnbuckle failure;	
E2	Brake failure;	
E4	Motor Hall failure;	
E5	Motor phase line or MOS communication failure;	
E6	Controller failure;	

14. Vehicle electric control diagram



15. After-sales Service

In the process of using i-walk electric scooter if you have any consultation on driving, maintenance, safety and other issues, you can consult or repair through various after-sales service channels provided by the official website of IWALK company.

IWALK official website: [Http: //www.zjiwalk.com](http://www.zjiwalk.com)

IWALK reserves the right to amend this Manual or any of the rules from time to time as required. If there are any changes to this Manual, IWALK will notify the user on its website without prior consent of the user. The revised specification and rules shall become a part of this specification as soon as the formula becomes effective.

16. Warranty Policy

After seven days from the next day after the user signs for receipt, in case of non-artificial damage performance failure, the maintenance business shall be handled for the user after being tested and confirmed by the IWALK After-sales Service Center.

The warranty period of the whole unit and parts are as follows:

Type	Warranty content	Warranty period	Service content
Main unit	Frame assembly, handle assembly, folding assembly, front fork assembly, rear fork assembly, etc.	1 year	Free maintenance
Electronic parts	Dashboard, throttle thumbwheel, left and right brake handles, front and rear motor wheels, controller, charging port, lithium battery, headlamp, ambient lamp, rear lamp, etc.	6 months	Free maintenance
Exterior parts	Left and right trims of handle, silicone handle cover, pedal, upper cover of controller, decorative cover plate of front fork and rear fork, front and rear mudguards, kickstand, etc.	3 months	Free maintenance

17. Maintenance Record

The user's name: _____ Contact number: _____

Maintenance date	Failure reason	Maintenance results	Maintenance date	Remarks

Note: this card is an important guarantee for product warranty. Please keep it properly. Do not alter, miss or destroy

Chassis number (SN):

Labeling place

Seal of the maintenance department

i·walk[®]



<http://www.zjiwalk.com>

Zhejiang Iwalk Technology Co., Ltd.

No.59, Juxing Technology Park, Jiaojiang District,

Taizhou, Zhejiang Province, China