

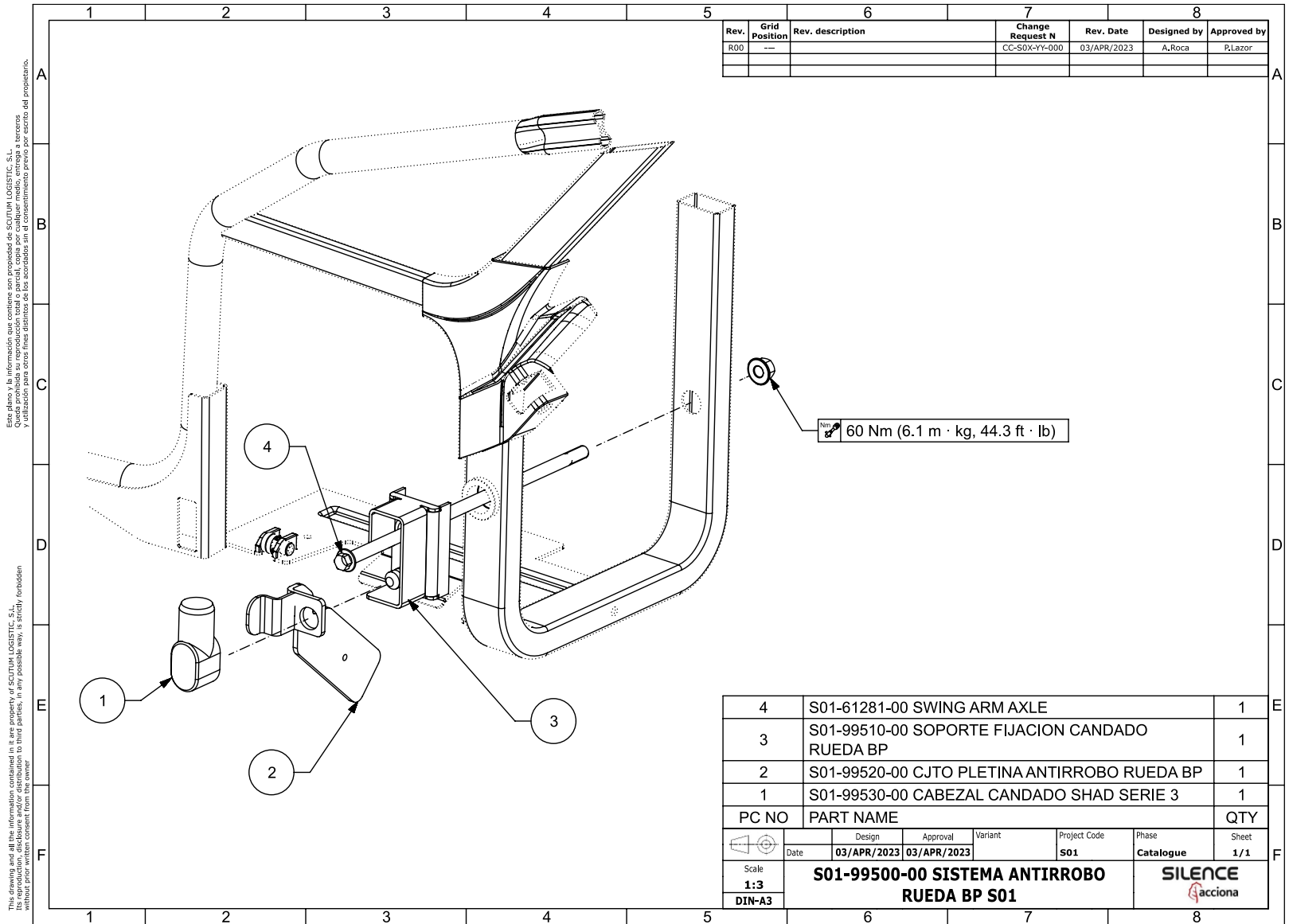
SILENCE 



MANUEL D'ATELIER

***CADENAS***  
***SIDELOCK TN***

|           |              |             |                                       |
|-----------|--------------|-------------|---------------------------------------|
| RÉFÉRENCE | S01-99500-00 | DESCRIPTION | "SYSTÈME ANTIVOL DE ROUE BP S01/S02B" |
|-----------|--------------|-------------|---------------------------------------|



| Rev. | Grid Position | Rev. description | Change Request N | Rev. Date   | Designed by | Approved by |
|------|---------------|------------------|------------------|-------------|-------------|-------------|
| R00  | ---           |                  | CC-S0X-YY-000    | 03/APR/2023 | A.Roca      | P.Lazor     |

| 4   | S01-61281-00 SWING ARM AXLE                    | 1  |              |           |              |       |       |             |             |  |     |           |     |  |
|---|--|--|--------------|-----------|--------------|-------|-------|-------------|-------------|--|-----|-----------|-----|--|
| 3   | S01-99510-00 SOPORTE FIJACION CANDADO RUEDA BP | 1  |              |           |              |       |       |             |             |  |     |           |     |  |
| 2   | S01-99520-00 CJTO PLETINA ANTIRROBO RUEDA BP   | 1  |              |           |              |       |       |             |             |  |     |           |     |  |
| 1   | S01-99530-00 CABEZAL CANDADO SHAD SERIE 3      | 1  |              |           |              |       |       |             |             |  |     |           |     |  |
| PC NO   | PART NAME                                      | QTY  |              |           |              |       |       |             |             |  |     |           |     |  |
| <table border="1"> <thead> <tr> <th>Design</th> <th>Approval</th> <th>Variant</th> <th>Project Code</th> <th>Phase</th> <th>Sheet</th> </tr> </thead> <tbody> <tr> <td>03/APR/2023</td> <td>03/APR/2023</td> <td></td> <td>S01</td> <td>Catalogue</td> <td>1/1</td> </tr> </tbody> </table> |  | Design   | Approval     | Variant   | Project Code | Phase | Sheet | 03/APR/2023 | 03/APR/2023 |  | S01 | Catalogue | 1/1 |  |
| Design  | Approval                                       | Variant  | Project Code | Phase     | Sheet        |       |       |             |             |  |     |           |     |  |
| 03/APR/2023   | 03/APR/2023                                    |  | S01          | Catalogue | 1/1          |       |       |             |             |  |     |           |     |  |
| Scale: 1:3<br>DIN-A3  |  | S01-99500-00 SISTEMA ANTIRROBO<br>RUEDA BP S01 |              |           |              |       |       |             |             |  |     |           |     |  |
|   |  | SILENCE<br>acciona                             |              |           |              |       |       |             |             |  |     |           |     |  |

Este plano y la información que contiene son propiedad de SCUTUM LOGISTIC, S.L. Cualquier reproducción, modificación o uso no autorizado sin el consentimiento escrito del propietario, será sancionado. This drawing and all the information contained in it are property of SCUTUM LOGISTIC, S.L. Its reproduction, disclosure and/or distribution to third parties, in any possible way, is strictly forbidden without prior written consent from its owner.